

Timing4200

GPS / Beidou Timing Antenna Timing4200



✓ RoHS

- Gain: 39dB
- Center Frequency: $1575.42 \pm 5\text{MHz}$ & $1561 \pm 5\text{MHz}$
- Built-in surge protection

Typical application :

- *Wireless infrastructure
- *Communication timing service
- *GPS /Beidou2 indoor test

Outline

This catalog introduce 4200 serial antenna of appearance, features , demensions and so on, you can confirm your needs more fast and accurately.

GEMS Navigation Electronics.
Baoan District, Shenzhen, China

Add: F2, Building 6, Run Dong Sheng Industrial Park,

Tel: +86-755-29644311 Fax: +86-755-29644383 Email: sales@gemsnav.com

Document Number 1408 Rev 002 2021-01-12 Page 1 / 4

Characteristic :

- Center Frequency [MHz] 1575.42±5
- Gain [dBi] 1561±5
- Polarization 39±2(LNA included)
- Axial Ratio [dB] R.H.C.P.
- 3dB Beam Width[°] < 5
- Front To Back Ratio[dB] 110±10
- Noise Figure[dB] 10
- Output VSWR [dB] ≤2.7
- P1dB(out) [dBm] 2.5
- Out Of Band Rejection [dBc] >0
- Output Impedance[Ω] f0=1568 MHz
- Voltage[V] 12 min (f0=1568 MHz ± 50MHz)
- Current[mA] 35 min (f0=1568 MHz ± 70MHz)
- Surge Resistor 45 MAX
- Weight [Kg] 符合 IEC61000-4-5 标准, 4kv ,1.2/50us
- Connector Output impedance 2Ω
- Connector N(Female)

Patch:

- Dimension[mm] 40 (L) × 40 (W) × 7(H)
- Center Frequency[MHz] 1568 ± 5
- Band width[MHz] 65 (10db return loss)
- Gain[dBic] 5.0
- 3dBbeam width 110° ± 10°
- Front to back ratio[dB] 10
- Axial ratio[dB] 5
- Output VSWR[dB] ≤1.5
- Output Impedance[Ω] 50
- Polarization R.H.C.P.

LNA:

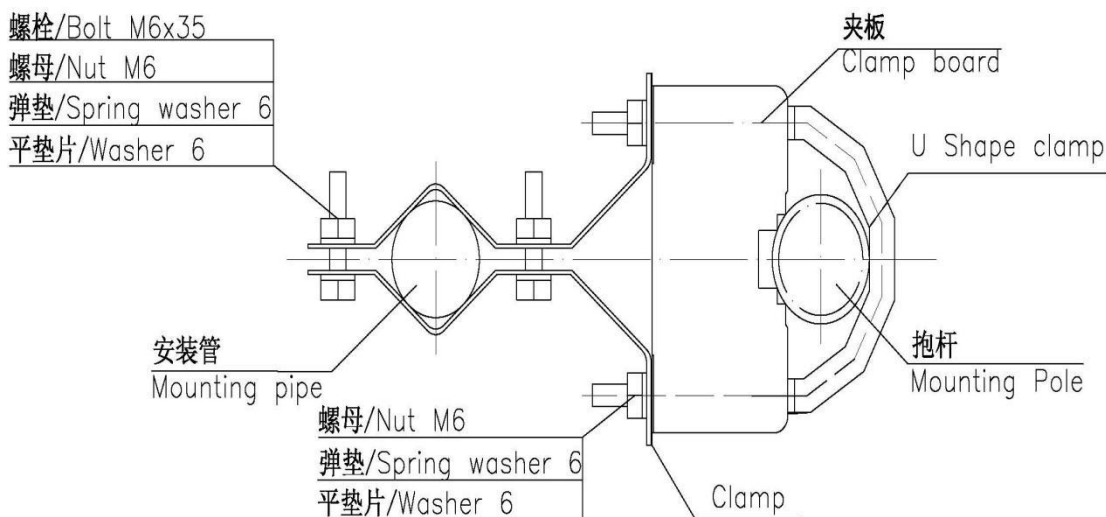
- Center Frequency (MHz) 1568.42 ± 30

- Gain[dBi] 34±2
- Noise figure[dB] 2.7
- Voltage [V] 4~6
- Current [mA] ≤45
- Passband Ripple[dB] <1 (1575.42±1.023MHz)
- <2 (1575.42±5MHz)
- <2(1561±5MHz)
- OutputP1dB >0
- Filter (Out of band attenuation) [dBc] 12 min (f0=1568 MHz ± 50MHz)
- 35min (f0=1568 MHz ± 50MHz)
- 70min (f0=1568 MHz ± 50MHz)
- Output VSWR[dB] ≤2.5
- Input VSWR [dB] ≤2.5

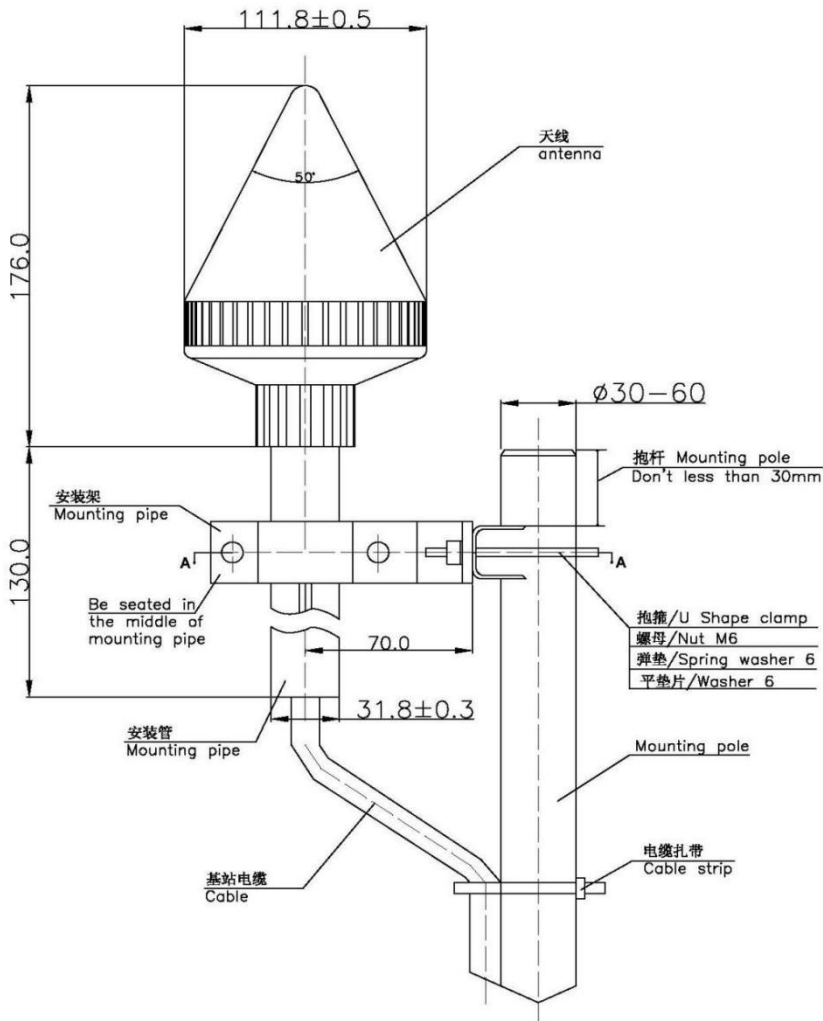
Mechanical characteristic

- Radome material A B S
- Dimension [mm] Ø112×205
- Work temperature[°C] -40~+70
- Storage temperature [°C] -40~+85
- Environmental humidity [%] 5-95

Installation Instructions



A-A



If you need support, please contact with our technical sales engineer。 Tel: 86-755-29644311 or Email: sales@gemsnav.com.

Frequency reference:

Global/Compass Navigation Satellite Systems(GNSS/CNSS)	5					2					6/3			6			1													
Frequency (MHz)	1164	1176	1188	1192	1207	1215	1219	1227	1239	1245	1252	1259	1266	1268	1278	1290	1535	1540	1545	1550	1558	1561	1563	1575	1587	1592	1602	1609	1616	2491
GPS(USA) L1,L2,L2C,L5	L5+/-12					L2/L2C+/-12								L6+/-5			L1+/-12													
Glionass(Russia) G1, G2											G2+/-7						G1+/-7													
Galileo(European) L1,E1,E2,E5(E5a,E5b),E6	E5+/-15										E6+/-12			L6+/-5			E2 L1+/-17 E1													
Compass (Beidou 2,China)	B2+/-10										B3+/-10						B1+/-2													
Beidou 1 (China,Tx(LHCP)/Rx(RHCP))																						L	S							
IRNSS (India)	L5+/-15																L1+/-12					S+/-15								
OmniStar														O+/-14--->																