

GRA10

Re-Radiate Passive Antenna



- ✧ **Gain**
 - **Passive : 3dBi**
- ✧ **Frequency: 1150-1700MHz**
- ✧ **Typical Applications:**
 - **For GNSS Signal Re-radiate**
 - **Passive antenna**

WWW.GEMSNAV.COM

Antenna Specifications

Frequency Range [MHz]	1150~1700
Gain	3 dBi
Polarization	Vertical polarization
Input (VSWR)	≤1.45
Intermodulation	< 110dBm
Input impedance	50Ω
Max power	50W
Connector	N(Female), SMA(Female),etc.

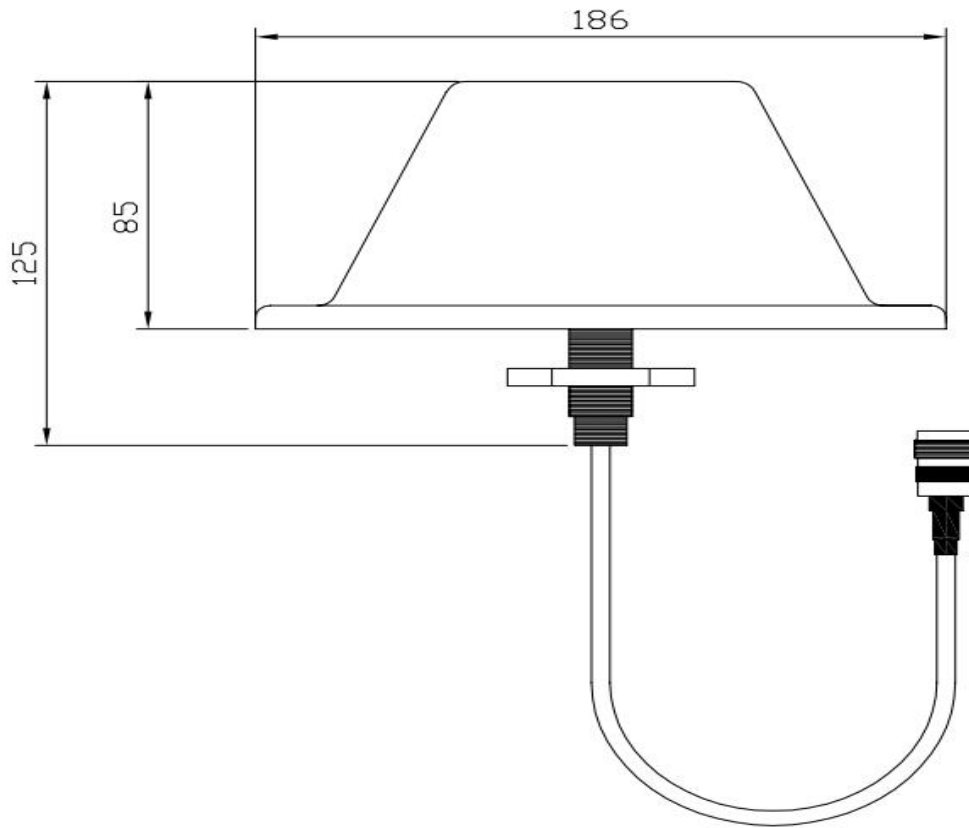
Mechanical Specifications

Lightning Protection	DC Ground
Radome material	UV-Protected ABS
Dimension [mm]	Ø186×85
Weight [g]	400
Operating Temperature [°C]	-40~+60
Limit Temperature [°C]	-55~+70
Operating Humidity [%]	5~95
Circumstance	Indoor

Installation Tips:

1. Please select the appropriate location on the ceiling drilling, pore size of which about 20MM, then tighten the nut fixing the antenna on the ceiling;
2. The thickness of the ceiling don't exceed 20MM;
3. The antenna don't close to the fire .

Dimensions



Frequency Reference Table:

Global/Compass Navigation Satellite Systems(GNSS/CNSS)	5					2				6/3			6			1																
Frequency (MHz)	1164	1176	1188	1192	1207	1215	1219	1227	1239	1245	1252	1259	1266	1268	1278	1290	1535	1540	1545	1550	1558	1558	1561	1563	1575	1587	1592	1602	1609	1616	2491	
GPS(USA) L1,L2,L2C,L5	L5+/-12					L2/L2C+/-12								L6+/-5								L1+/-12										
Glionass(Russia) G1,G2											G2+/-7																				G1+/-7	
Galileo(European) L1,E1,E2,E5(E5a,E5b),E6	E5+/-15		E5a+/-12 E5b+/-12									E6+/-12			L6+/-5			E2		L1+/-17		E1										
Compass (Beidou 2,China)			B2+/-10									B3+/-10									B1+/-2											
Beidou 1 (China, Tx(LHCP)/Rx(RHCP))																															L S	
IRNSS (India)		L5+/-15																				L1+/-12									S+/-15	
OmniStar																	O+/-14--->															